



Lifebelt CE 100N A* 13,00 €

100 Newton CE approved lifejackets. Single waist strap, retroreflective tape and a SOLAS approved whistle are combined with solid P.E. buoyancy to form a competitive, high specification lifejacket.

| | | |
|-----------------------|--------|---------------|
| Code..... | 109291 | 109292 |
| Buoyancy (N)..... | 60 | 105 |
| Body weight (Kg)..... | 0-50 | >50 |
| Chest size (cm)..... | 85 | 125 |

BEST VALUE



For better storage of your boat's safety equipment use the Lifejacket Storage bag. For more information turn to "Taschen"



Adult Lifejacket CE 100 N A* 31,14 €

100 Newton lifejackets reduce the risk of drowning for swimmers and non-swimmers in sheltered waters in most conditions. Specifically designed to turn the unconscious wearer face up and support the head. Available in four adult sizes, these lifejackets have a 45mm webbing waist strap, nylon zip, dual ties, whistle and 30mm webbing crotch strap with an 'easy thread' buckle. The segmented collar design allows the collar to support the head in the water but to lie out of the way when the jacket is in normal use.

| | | | | |
|-----------------------|---------------|---------------|---------------|---------------|
| Code..... | 111073 | 111074 | 111101 | 112738 |
| Buoyancy (N)..... | 75 | 105 | 114 | 125 |
| Body weight (Kg)..... | 30-50 | 50-70 | 70-90 | >90 |
| Chest size (cm)..... | 60-90 | 70-105 | 80-115 | +110 |



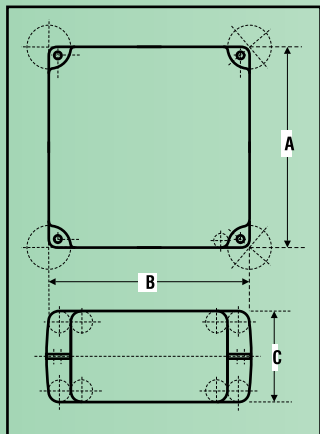
Pet Retriever Buoyancy Aid & Harness A* 20,24 €

Keep your pet safe on board with the Lalizas Pet Retriever Buoyancy aid and Harness. The Lalizas Pet Retriever features a foam construction buoyancy aid and strong lifting loop to enable you to retrieve your pet. Suitable for both dogs and cats. Available in four sizes from extra small to large.

| | | | | |
|---------------------------------------|---------------|---------------|---------------|---------------|
| Code..... | 107206 | 107207 | 107208 | 107209 |
| Weight (Kg)..... | < 8 | 8-15 | 15-40 | > 40 |
| Chest circumference min-max (cm)..... | 25-48 | 30-60 | 43-84 | 46-95 |



Neu: Hundebadeleiter im Programm: Zusammenlegbar aus Kunststoff; Einfacher Einstieg Ihres Hundes an Bord



Life Saving Apparatus (Plastic) A*

For use on sail or motor boats.
Outer cover constructed from high strength polyethylene with an inner polystyrene filling.
Complete with all-round rope lifeline
Available in 4, 8 and 12 person models
High visibility orange
Approved to EEP. Approval number: 4232/46/00

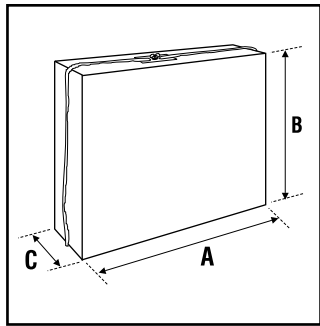
| | | | |
|--------------------|---------------|---------------|----------------|
| Preis | 77,78€ | 95,15€ | 173,72€ |
| Code..... | 107259 | 107260 | 107262 |
| Persons..... | 4 | 8 | 12 |
| Volume (lit.)..... | 80 | 151 | 252 |
| Weight (kg)..... | 5 | 11 | 18 |
| A (cm)..... | 55 | 76 | 100 |
| B (cm)..... | 55 | 76 | 100 |
| C (cm)..... | 25 | 25 | 25 |



Life Saving Apparatus

Life Saving Apparatus A* "Advance" & "FR-Series"

The LALIZAS Life saving Apparatus offer the proper durability against time and weather conditions so as to be easily stored outside or inside areas. They are constructed from strong PVC on the outside and filled with polystyrene foam. These apparatus feature all-round rope lifeline revved through reinforced welded fairleads. The 'Advance' model carries an EEP approval. They are available in orange colour for high visibility.



| | Preis 26,30 € | 33,02 € | 40,90 € | 59,33 € |
|--------------------|---------------|---------|---------|---------|
| "Advance" | | | | |
| Code..... | 125913 | 125914 | 125915 | 125916 |
| Persons..... | 2 | 3 | 4 | 6 |
| A (cm)..... | 45 | 60 | 76 | 100 |
| B (cm)..... | 45 | 47 | 50 | 60 |
| C (cm)..... | 16,5 | 16,5 | 16,5 | 16,5 |
| Preis | 26,30 € | 33,02 € | 40,90 € | 59,33 € |
| Code..... | 126250 | 126251 | 126252 | 126253 |
| "FR-Series" | | | | |
| Persons..... | 2 | 3 | 4 | 6 |
| A (cm)..... | 45 | 60 | 76 | 100 |
| B (cm)..... | 45 | 47 | 50 | 60 |
| C (cm)..... | 16,5 | 16,5 | 16,5 | 16,5 |



BUOYANCY AIDS



Our unique double velcro waist strap makes the Pro Race series fully adjustable to a variety of chest size users



The Pro Race models 20343-5 and 20353-5 and the Race model 20303 have shoulder adjustable straps which allow a tighter fit on the lifejackets for youngster users.

Pro Race Buoyancy aid CE 50N A*

The Pro Race buoyancy aid has been designed as the "ultimate" high performance jacket. Its compact construction is ideally suited for dinghy sailors, sport canoeists and windsurfers. The Pro Race buoyancy aid features high density soft PVC foam buoyancy, double sided Velcro waist straps, side entry zip and a mesh front pocket. Our unique double velcro waist strap makes the Pro Race series fully adjustable to a variety of chest size users. Available in red with black webbing and high visibility yellow and blue with black webbing.

| | Preis 36,23 € | 36,23 € | 36,23 € |
|-----------------------|---------------|---------|---------|
| ● Code..... | 109310 | 109311 | 109312 |
| ● Code..... | 109354 | 109355 | 109356 |
| Buoyancy (N)..... | 52 | 60 | 62 |
| Body Weight (Kg)..... | 30-50 | 50-70 | >70 |
| Chest size (cm)..... | 70-120 | 75-130 | 80-140 |
| Adjustable..... | Yes | Yes | Yes |

USEFUL HINTS Windsurfing On the Water

You should never sail alone. Always sail in company in case you need help.

Wind & Tide

Never sail in an offshore wind, as it can be very dangerous. Offshore winds tend to increase in strength the further you go and will eventually take you away from your base should you get in trouble. Choose a beach where the wind is blowing cross-shore or cross-on. Avoid sailing in poor visibility, such as sailing at dusk and in sea mist. Finally, be very careful of the tides, as a strong tidal stream can also sweep you far from base.

Condition of Equipment

Before going afloat for windsurfing, you should always check your equipment thoroughly. First of all, check all parts of the sail board for signs of wear. You should ensure the deck plate is fitted securely, so the rig and board will not separate and always check the mast for any damage. When you rig the sail, you must ensure that the ropes are not frayed, if so, always replace them. Make sure that the ropes are cleated and tied off. After use, wash off your equipment with clean, fresh water. For further security, mark the board and the rigging with your name and telephone number using a security pen.

Self Rescue

Undoubtedly, it is better to be safe than sorry. Therefore, always be prepared for the worst and know how to rescue yourself without another's help. In order to self-rescue, you should always carry spare rope, and either a dayglo flag or pocket flare for attracting attention. Also, it is vital to know the international distress signal - raise and lower both arms either side of your body, but you should not cross them above your head. NEVER LEAVE YOUR BOARD, as it will help you stay on the surface and help would-be rescuers to notice you. Finally, it is better to attempt a self-rescue before you become cold or exhausted.

The Butterfly Technique

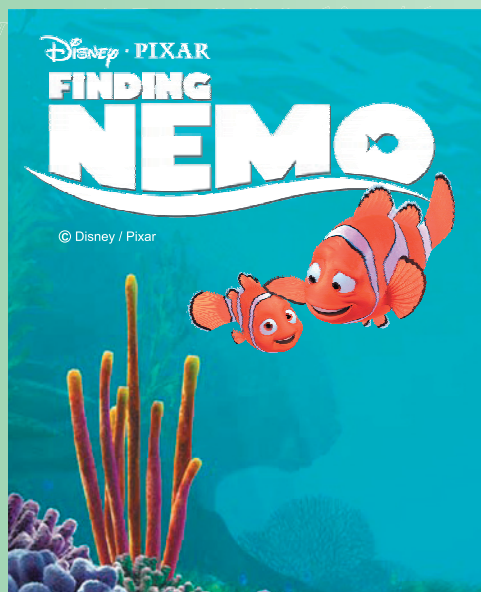
This technique should be used under calm weather conditions. Turn the rig around so that the boom lies across the board and the mast points towards the back. Lying on your front, and using your legs to keep the sail out of the water, start paddling, while in strong winds, roll up the sail before attempting the self-rescue. Only in extreme conditions and if you are in reach of the shore, should you leave your rig behind and paddle to shore. If you ever have to abandon any equipment, inform the Coastguard.



The "Pro Race" buoyancy aid gives you safety and freedom of movements, while Kevlar, and Amara gloves offer you protection while at sea. For more information on the gloves turn to "Handschuhe"



JUNIOR LIFEJACKETS



Child's Lifejacket NEMO CE 100N

NEMO lifejacket provides a good fit and maximum safety. A large flotation collar supports the child's head and has a built-in-grab strap to aid recovery. An adjustable waist belt and a crotch strap keep the vest securely in place whilst in the water. It is available in two colours, orange and yellow. This NEMO lifejacket is approved to European Standards.



| | | | |
|-----------------------|---------|---------|---------|
| | 29,40 € | 33,31 € | 33,31 € |
| ● Code..... | 124301 | 124303 | 124305 |
| ● Code..... | 124300 | 124302 | 124304 |
| Buoyancy (N)..... | 38 | 42 | 55 |
| Body weight (Kg)..... | 0-10 | 10-20 | 20-30 |
| Chest size (cm)..... | 40-60 | 45-70 | 50-80 |
| | 29,40 € | 33,31 € | 33,31 € |



Nemo child's lifejacket can be used in perfect combination with the inshore sailing jacket and trousers for children. For more information on the inshore sailing jacket and trousers for children, turn to page "Bekleidung"



Junior Pro Buoyancy aid CE 50N A* 35,96 €

The Junior Pro is especially designed for the safety and most of all the comfort of young skiers. It is unique for children, since it belongs to the 50N buoyancy class, thus avoiding the bulk of the common ski buoyancy aids and lifejackets. The Junior Pro features a durable nylon outer shell with high-density soft foam, V-neck cut and deep cut sides for freedom of movement and comfort, and adjustable dual strap fixing for a tight fit. Available in three sizes and one colour combination (yellow with blue).

| | | | |
|-----------------------|---------|---------|---------|
| Code..... | 125905 | 125904 | 125903 |
| Buoyancy (N)..... | 50 | 50 | 50 |
| Body weight (Kg)..... | 30-40 | 30-40 | 40-60 |
| Chest size (cm)..... | 65-75 | 70-80 | 75-85 |
| | 35,96 € | 35,96 € | 35,96 € |



Child's Life Jacket CE 100N A* ab 21,58 €

100 Newton child's lifejacket reduces the risk of drowning for children swimmers and non-swimmers in sheltered waters in most conditions. Specifically designed to turn the unconscious child face up and support the head. Available in three sizes and one colour combination.


| | | | |
|-----------------------|---------|---------|---------|
| Code..... | 109284 | 109285 | 109286 |
| Buoyancy (N)..... | 35 | 55 | 65 |
| Body weight (Kg)..... | 0-10 | 0-20 | 20-40 |
| Chest size (cm)..... | 40-60 | 45-70 | 50-80 |
| | 21,58 € | 27,42 € | 27,42 € |

HORSESHOES, MOB RESCUE SYSTEMS

Lifebuoy Ring SOLAS

Designed for pleasure and commercial usage, features an orange, rack hard, cross-linked polyethylene outer shell that will not deteriorate and is unaffected by extreme weather conditions CE approved to SOLAS (L.S.A Code)* by Bureau Veritas*

Code.....**A* 109303 50,51 €** **A* 109364 42,62 €**
 Weight..... 2.5kg 4kg

* The CE  approval certificates replace all the National approval certificates of European committee member states (D.O.T-U.K etc).
 * L.S.A Code (Life-Saving-Appliances Code): latest amendment of chapter III of SOLAS in force since June 1998. until 1998

For a better effectiveness combine the SOLAS lifebuoy ring with the floating throw line (B* 109304 11,82 €) and the SOLAS lifebuoy light (A* 113761 11,45 €).



Ext. Diam. 725 mm
 Int. Diam. 450 mm



0062

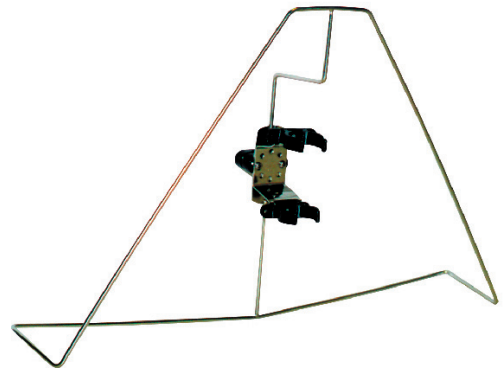
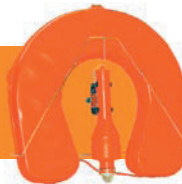


Stainless Steel Horseshoe Bracket

Lalizas stainless steel horseshoe bracket can be easily installed on any kind of vessel. Its fixing system allows horseshoe and lifebuoy light to be easily taken away in case of emergency.

Code.....**A* 106688 17,17 €**

Combine the Horseshoe Lifebuoy with the lifebuoy light (A* 113761 11,45 €) and the stainless steel horseshoe bracket (A* 106688 17,17 €) for easier storage and access, and better performance.



Floating Rope Solas, Diam. 8mm, orange

Code.....**B* 109304 11,82 €**



Floating Rope Non-Solas, Diam. 6mm, orange

Code.....**B* 204494 9,17 €**

Plastic holder for life ring



C* 125178 4,29 € per Stück.)
B* 113214 10,48 € (Set mit 3Stück)



Mooring Ring with 30m rope

Designed for the retrieval of MOB, the ring is moulded in PVC, weighing only 250gr, and it is tied to a 30metre floating rope.

Code.....**A* 125935 13,91 €**



Mooring Ring

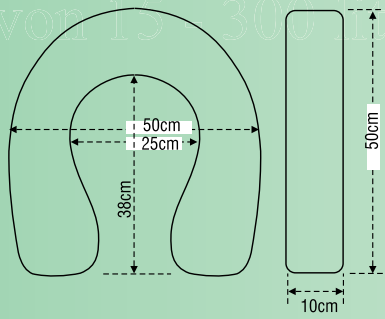
A Bouyant Mooring Ring, Moulded in PVC using a similar process as used for Hercules Fenders

Weight: 250 gr
 Dimensions:
 EXT. Ø 17,5cm
 INT. Ø 10,5cm

Code.....**C* 125002 5,61 €**



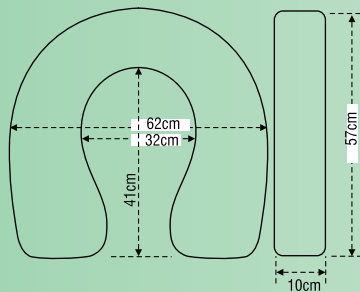
Trinkwasseranlagen/Watermakers von 15 - 300 l/h



Horseshoe Lifebuoy Basic I A* 21,98 €

Horseshoe Lifebuoy Basic I consists of a flexible zipper cover and features a plastic clip fastening. It is available in one size and in three different colours: white, yellow and orange.

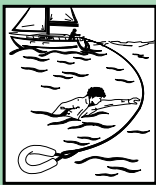
Code.....107256 107255 107258
Colour.....Orange White Yellow



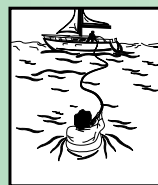
Horseshoe Lifebuoy "FR-Series" A* 26,38 €

The horseshoe lifebuoy is designed to last for a long time even if it is exposed to all weather conditions. It is constructed from flexible polyethylene fabric and it is surrounded by a rope secured with fastening clips. For the best mounting and storage, you can use the horseshoe bracket (20580) where the lifebuoy light M.O.B. (70030) can also be mounted. It is available in three colours, orange, yellow and white.

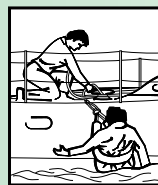
Code.....125740 125741 125742
Colour.....Orange White Yellow



1. Deploy M.O.B. system astern circle casualty until contact is made.



2. Confirm casualty is secured in M.O.B. Before rescue is attempted.



3. Winch casualty slowly to the boat.



4. Haul casualty on board.



Rescue Systems Life-Link

The Lalizas life-link Man-Overboard Rescue system is designed to be permanently mounted to the pushpit in it's own soft, easy clean PVC bag. The kit contains 50m of floating line attached to a sturdy buoyant PVC life-sling, and a personal retaining clip for added safety. Deployment is achieved by removing the life-link, attaching the floating line to a secure point and throwing astern. Once in the water the boat should circle the casualty allowing the life-link to be towed to their aid. Rescue is completed when the casualty is safely clipped into the life-link winched to the boat and hauled on board.



Contents:
- Rail mounted PVC stowage bag
- 50meter floating line Soft PVC
- Life-link with webbing strap.

Code....A* 107190 74,42 €

Anhängerschloss

190005 60,25 €

Wird einfach an der Anhängerkupplung des Autos angebracht und sichert so Ihren Trailer beim Parken vor Diebstahl.
Ø Anhängerkupplung : 50 mm.



Trinkwasseranlagen/Wärme...

Rettungsweste für Hunde

Schwimmfähigkeit durch anpassungsfähigen Schaum mit geschlossenen Zellen. Clipverschluss. Verstellbare Gurte.



| Art.Nr. | Größe | Rasse | Auftrieb |
|----------------|---------|---------------|----------|
| 123803 17,39 € | X-Small | Yorkshire | 6 N |
| 123804 19,92 € | Small | Pudel | 10 N |
| 188462 22,77 € | Medium | Cockerspaniel | 20 N |
| 123834 25,56 € | Large | Labrador | 40 N |

RESCUE BUOY®

Rescue Buoy®

Ein völlig neues Konzept der Sicherheit : erstaunlich einfach und scharfsinnig* löst die Rescue Buoy das Problem der Bergung eines Mann über Bord äußerst effizient.

*Patentiert.

Das Prinzip ist einfach : ein Hufeisenrettungsring, der mit einer korrekt aufgeschossenen Leine verbunden ist, leicht zu entrollen und sofort einsetzbar.

Technische Daten

- Hufeisenrettungsring, Schwimmfähigkeit 15 kg.
- 40 m schwimmfähige, gelbe Trosse.
- Hülle aus Tuch, UV-beständig, Befestigungsklammern für Montage am Heckkorb.
- Widerstandsfähigkeit der Trosse : 400 kg.
- Maße : Höhe : 60 cm, Breite : 65 cm, Dicke : 14 cm.
- Gewicht : 2.3 kg ohne Licht.



| RESCUE BUOY | gelbe Hülle | weiße Hülle |
|----------------------------|---|------------------------------------|
| Ohne Licht | orange Boje :126764 92,38€ gelbe Boje : 189218 92,48 € | orange Boje 190208 92,26 € |
| Mit Festlicht SOLAS | orange Boje :126739 106,04€ gelbe Boje :188462 106,14€ | orange Boje 190207 105,92 € |

Zubehör

- Umwendbares Festlicht SOLAS : 187897 10,39 €
- Ersatzhülle

gelb : 189451 45,68 €
weiß : 190209 45,56 €

- Set Hülle + Spindel

Wandelt Ihren Plastimo-Hufeisenrettungsring in eine Rescue Buoy um.

gelb : 189220 62,68 €
weiß : 190210 62,57 €

